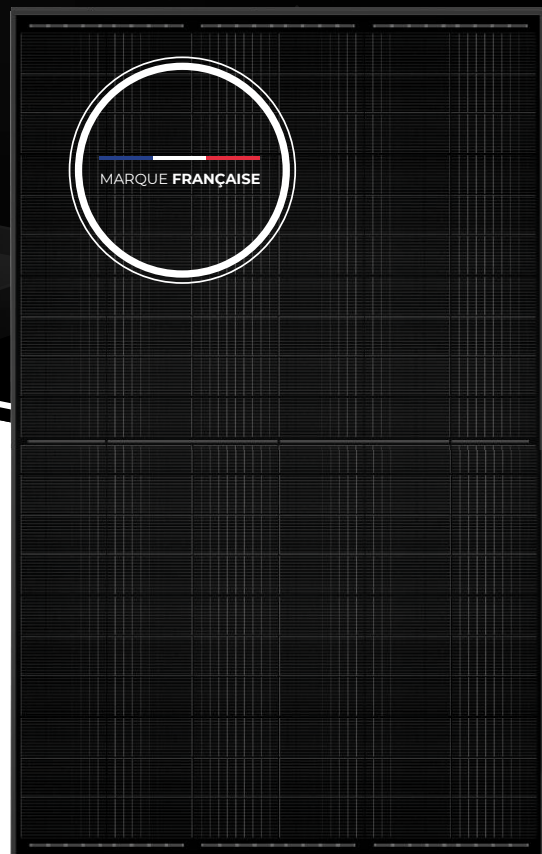


MONO CRYSTALLINE HALF CUT MODULE

360 / 365 / 370 / 375 Watts



Half-Cut Technology Series

Overview

Ground breaking technology; higher power output. improved system performance - the ideal solution for end users who want a fast turnaround on their investments. A fully certified premium quality and high efficiency module made with A Grade materials.

<p>Guaranteed mechanical resistance to severe weather conditions</p>	<p>Positive Tolerance</p>	<p>100% electro-luminescence tested</p>
--	---------------------------	---

Key Benefits



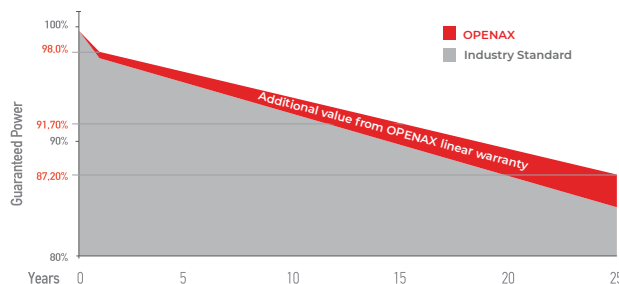
<p>Certified by Independent Engineering Bodies</p>	<p>Product Liability Insurance</p>	<p>Ultra High Power Output</p>
<p>30 Years Limited Product Warranty</p>	<p>Low Resistive Losses</p>	<p>Low LCOE</p>

Tests, Certifications and Warranties

Standard Tests	IEC 61215, IEC 61730
Factory Quality Tests	ISO 9001 : 2015, ISO 14001 : 2015
Certifications	Conformity to CE, PV CYCLE Fire safety Class C according to UL790
Insurance	Third party liability insurance
Wind and Snow Loads Testing	Module certified to withstand extreme wind (2400 Pascal) and snow loads (5400 Pascal)
Power Tolerance	Guaranteed +0/+5W (STC condition)

- Warranties**
- ✔ 30-year limited product warranty
 - ✔ 15-year manufacturer warranty on 91.70% of the nominal performance
 - ✔ 25-year transferable linear power output warranty

Linear Performance Warranty



First Year Output $\geq 98\%$	2-25 Year Decline $\leq 0.45\%$	25 Year Output $\geq 87.20\%$
---------------------------------	-----------------------------------	---------------------------------

Electrical characteristics

Power class ⁽¹⁾		360		365		370		375	
Testing Condition		STC	NMOT	STC	NMOT	STC	NMOT	STC	NMOT
Maximum Power	Pmax [Wp]	360	266.7	365	270.4	370	274.1	375	277.8
maximum Power Voltage	Vmp [V]	33.70	31.10	33.90	31.30	34,10	31.50	34,30	31.70
Maximum Power Current	Imp [A]	10.69	857	10.77	8.64	10,86	8.71	10,93	8.76
Open Circuit Voltage	Voc [V]	40.90	38.20	41.10	38.40	41.30	38.50	41.50	38.70
Short Circuit Current	Isc [A]	11.20	9.03	11.28	9.09	11,37	9.17	11.48	9.24
Module Efficiency	Eff [%]	19.76		20.04		20.00		20.31	
Maximum Series Fuse	Ir [A]	20							
Maximum System Voltage	Vsys [V]	1500 V DC [IEC]							

(1) Measurement Tolerances: Pmax (±3%), Isc & Voc (±3%) - Power Classification 0/+5W

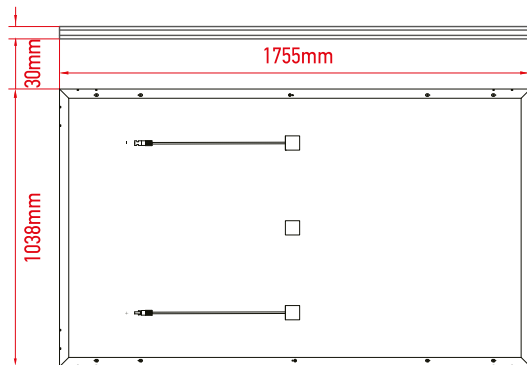
(2) STC (Standard Testing Condition): Irradiance 1000W/m², Cell Temperature 25°C, AM 1.5

(3) NMOT (Nominal Operating Module Temperature): Irradiance 800W/m², NMOT, Ambient Temperature 20°C, AM 1.5, Wind speed 1m/s

Mechanical Data

Dimensions	1755 mm x 1038 mm x 30 mm
Weight	19.0 Kg
Cell Type	Mono PERC - 166mm x 83mm [2 x 60 Pcs] - M6
Front Glass	12mm Tempered and low-iron glass+ ARC
Rear Side	Anti-aging film [Black]
Frame	Anodized Aluminium Alloy [Black]
Junction Box	IP68 - 3 Bypass diodes
Connector	MC4 compatible
Output Cable	4mm² Length 1100 mm

Dimensions



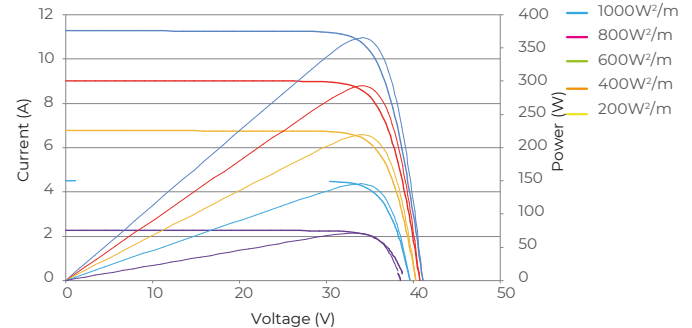
POWER BENZ assumes no liability or responsibility for any typographical error, layout error, misinformation, any other error, omission, contained herein

www.openax.com

The specification and key features described in this datasheet may deviate slightly and are not guaranteed. Due to on-going innovation, research and product enhancement, OPENAX reserves the right to make any adjustment to the information described herein at any time without notice. Please always obtain the most recent version of the datasheet which shall be duly incorporated into the binding contract made by the parties governing all transactions related to the purchase and sale of the products described herein. Please read the safety and installation instructions before using the modules.

I-V Curve

The module relative power loss at low light irradiance of 200W/m² is less than 3%



Temperature Characteristics

Pmax Temperature Coefficient	-0.390% / °C
Voc Temperature Coefficient	-0.300% / °C
Isc Temperature Coefficient	+0.060% / °C
Operating Temperature	-40~+85 °C
Nominal Operating Module Temperature (NMOT)	42 ± 2 °C

Packing Configuration

Container	40' (HC)
Pieces per Pallet	36
Pallets per Container	26
Pieces per Container	(36+36+5)x13=1001 pcs